

ORTA Bath Shower Mixer

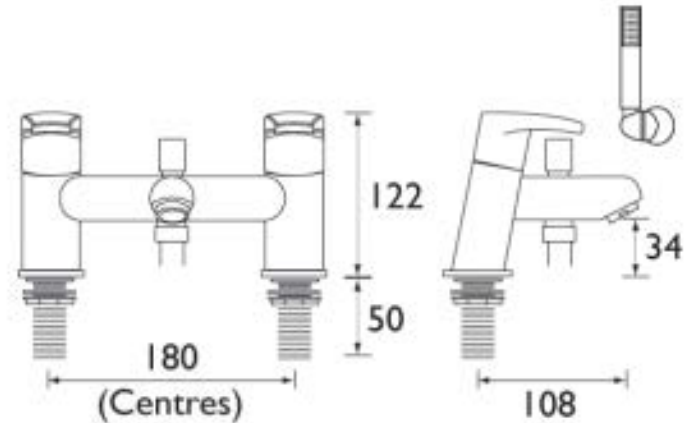
Product Specification

Product Code:	OR BSM C
Finish:	Chrome
Product Type:	Contemporary
Construction:	Body is of brass construction and
Valve Type:	¼ turn ¾" ceramic disc valves
Supply:	Suitable for all plumbing systems
Inlet Connections:	¾" BSP threaded tails
Outlet Connections:	M24 Flow Straightener
Working Pressures:	Min 0.2bar, Max 7.0bar
Dimensions for Fitting:	180mm inlet centres



Additional Information

- Supplied with metal handles
- Supplied with metal back nuts
- Chrome plated to BS EN 248
- Includes a 1.75m hose, rub clean handset and wall bracket



Compliance/Approvals

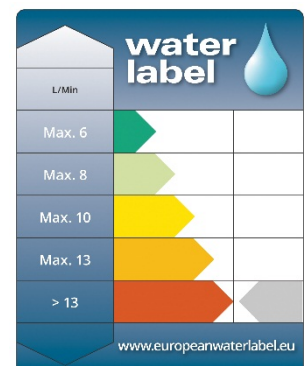
WRAS Approval No: 1107095

Flow Rates (litres per minute)

System Pressure	0.2bar	0.5bar	1bar	2bar	3bar	5bar
Open Outlet	18.41	29.11	41.17	58.22	71.3	92.05
Handset	5.19	8.21	11.61	16.41	20.1	25.95

Technical Advice: For further information please call 0844 7016273 or email customer@bristan.com

Guarantee: 5 years covering manufacturing faults.



Bristan, Birch Coppice Business Park, Dordon, Tamworth, B78 1SG
 Telephone: 0844 701 6274 Facsimile: 0844 701 6275
 Web Site: www.bristan.com Email: enquire@bristan.com

